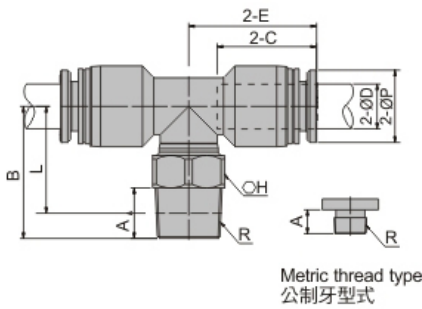


標準接頭 (黑) Tube Fitting (Black)

PB T型 Tee

\$PO2 3D CAD 2D CAD 單位(Unit): m/m



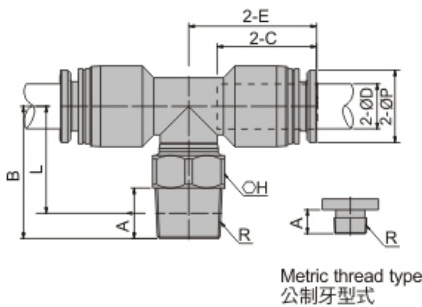
Metric thread type
公制牙型式

| Model 型式 | Tube dia. ØD 管外徑 | E | C | ØP | A | R | H | B | L | Mass(g) 重量 | Orifice 流量孔徑 | | | | |
|-------------|------------------------|-------|------|------|-----|--------|------|------|------|---------------|-----------------|------|------|------|-----|
| PB4-M3 | 4 | 15.8 | 14.2 | 8 | 3 | M3X0.5 | 8 | 15.2 | 13.7 | 3.2 | 1.1 | | | | |
| PB4-M5 | | | | | 4.8 | M5X0.8 | 8 | 15.7 | 13.6 | 4.8 | 2 | | | | |
| PB4-M6 | | | | | 4 | M6X1.0 | 10 | 16.2 | 14.2 | 4.4 | 2.5 | | | | |
| PB4-01 | | | | | 7 | PT1/8 | 10 | 17.4 | 13.1 | 7.6 | 4.2 | | | | |
| PB4-02 | | | | | 9.6 | PT1/4 | 14 | 20 | 15 | 16.4 | 4.2 | | | | |
| PB4-03 | | | | | 9.6 | PT3/8 | 17 | 20 | 15 | 19.5 | 4.2 | | | | |
| PB6-M5 | 6 | 17.7 | 13.8 | 10 | 4.8 | M5X0.8 | 8 | 17 | 15.5 | 6.6 | 2 | | | | |
| PB6-M6 | | | | | 4 | M6X1.0 | 10 | 17.5 | 15.5 | 5.3 | 2.5 | | | | |
| PB6-01 | | | | | 7 | PT1/8 | 10 | 18.3 | 14.6 | 9.6 | 4 | | | | |
| PB6-02 | | | | | 9.6 | PT1/4 | 14 | 21.6 | 17 | 18.4 | 4 | | | | |
| PB6-03 | | | | | 9.6 | PT3/8 | 17 | 21.7 | 17 | 21.6 | 4 | | | | |
| PB8-01 | | | | | 8 | 23.2 | 14.7 | 13.6 | 7 | PT1/8 | 10 | 21.5 | 18 | 13.6 | 5.4 |
| PB8-02 | 7 | PT1/4 | 10 | 21.8 | | | | | 18.6 | 19.8 | 5.4 | | | | |
| PB8-03 | 9.6 | PT3/8 | 14 | 22.3 | | | | | 17.2 | 24.6 | 5.4 | | | | |
| PB8-04 | 9.6 | PT1/2 | 17 | 22.7 | | | | | 18.1 | 38 | 5.4 | | | | |
| PB10-01 | 10 | 26.8 | 16 | 16.7 | | | | | 9.6 | PT1/8 | 15 | 22.9 | 20.7 | 23.8 | 5 |
| PB10-02 | | | | | | | | | 9.6 | PT1/4 | 15 | 24.7 | 19.2 | 25.4 | 5 |
| PB10-03 | | | | | 9.6 | PT3/8 | 17 | 24.7 | 19.3 | 30.4 | 5 | | | | |
| PB10-04 | | | | | 9.6 | PT1/2 | 21 | 27 | 19.6 | 42 | 5 | | | | |
| PB12-02 | 12 | 29.9 | 19.5 | 19.6 | 9.6 | PT1/4 | 15 | 27.4 | 21.3 | 34 | 8 | | | | |
| PB12-03 | | | | | 9.6 | PT3/8 | 17 | 27.4 | 21.4 | 36 | 8 | | | | |
| PB12-04 | | | | | 12 | PT1/2 | 21 | 29.4 | 23.1 | 47.2 | 8 | | | | |

- 價格區
- 標準接頭
- 調速接頭
- 金屬調速
- 逆止閥
- 關斷型接頭
- 配管模組
- 手動閥
- 塑膠接頭

PB NI T型 Tee

\$PO2 3D CAD 2D CAD 單位(Unit): m/m



Metric thread type
公制牙型式

| Model 型式 | Tube dia. ØD 管外徑 | E | C | ØP | A | R | H | B | L | Mass(g) 重量 | Orifice 流量孔徑 | | | | |
|-------------|------------------------|-------|------|------|-----|--------|------|------|------|---------------|-----------------|------|------|------|-----|
| PB3-M3-NI | 3 | 15.4 | 12.7 | 8 | 3 | M3X0.5 | 8 | 15.2 | 13.7 | 3.3 | 1.1 | | | | |
| PB3-M5-NI | | | | | 3.3 | M5X0.8 | 8 | 15.5 | 13.8 | 3.3 | 2 | | | | |
| PB3-M6-NI | | | | | 4 | M6X1.0 | 10 | 16.2 | 14.2 | 5.2 | 2 | | | | |
| PB4-M3-NI | 4 | 15.7 | 14.1 | 8 | 3 | M3X0.5 | 8 | 15.2 | 14.2 | 3.2 | 1.1 | | | | |
| PB4-M5-NI | | | | | 4.8 | M5X0.8 | 8 | 15.7 | 13.6 | 4.6 | 2 | | | | |
| PB4-M6-NI | | | | | 4 | M6X1.0 | 10 | 16.2 | 13.7 | 4.4 | 2.5 | | | | |
| PB4-01-NI | | | | | 7 | PT1/8 | 10 | 17.4 | 13.1 | 8.5 | 4.2 | | | | |
| PB4-02-NI | | | | | 9.6 | PT1/4 | 14 | 20 | 15 | 17.3 | 4.2 | | | | |
| PB4-03-NI | | | | | 9.6 | PT3/8 | 17 | 20 | 15 | 19.5 | 4.2 | | | | |
| PB6-M5-NI | 6 | 17.5 | 13.7 | 10 | 4.8 | M5X0.8 | 8 | 17 | 15.5 | 6.6 | 2 | | | | |
| PB6-M6-NI | | | | | 4 | M6X1.0 | 10 | 17.5 | 15.5 | 5.3 | 2.5 | | | | |
| PB6-01-NI | | | | | 7 | PT1/8 | 10 | 18.3 | 14.6 | 10.4 | 4 | | | | |
| PB6-02-NI | | | | | 9.6 | PT1/4 | 14 | 21.6 | 17 | 19.2 | 4 | | | | |
| PB6-03-NI | | | | | 9.6 | PT3/8 | 17 | 21.7 | 17 | 20.6 | 4 | | | | |
| PB8-01-NI | | | | | 8 | 23.1 | 14.6 | 13.6 | 7 | PT1/8 | 10 | 21.5 | 18 | 13.1 | 5.4 |
| PB8-02-NI | 7 | PT1/4 | 10 | 21.8 | | | | | 18.6 | 15.9 | 5.4 | | | | |
| PB8-03-NI | 9.6 | PT3/8 | 14 | 22.3 | | | | | 17.2 | 22.1 | 5.4 | | | | |
| PB8-04-NI | 9.6 | PT1/2 | 17 | 22.7 | | | | | 18.1 | 26.9 | 5.4 | | | | |
| PB10-01-NI | 10 | 26.6 | 15.7 | 16.7 | | | | | 9.6 | PT1/8 | 15 | 22.9 | 20.7 | 23.5 | 5 |
| PB10-02-NI | | | | | | | | | 9.6 | PT1/4 | 15 | 24.7 | 19.2 | 34.2 | 5 |
| PB10-03-NI | | | | | 9.6 | PT3/8 | 17 | 24.7 | 19.3 | 45.8 | 5 | | | | |
| PB10-04-NI | | | | | 9.6 | PT1/2 | 21 | 27 | 19.6 | 45.8 | 5 | | | | |
| PB12-02-NI | 12 | 29.8 | 19.3 | 19.6 | 9.6 | PT1/4 | 15 | 27.4 | 21.3 | 42 | 8 | | | | |
| PB12-03-NI | | | | | 9.6 | PT3/8 | 17 | 27.4 | 21.4 | 43.4 | 8 | | | | |
| PB12-04-NI | | | | | 12 | PT1/2 | 21 | 29.4 | 23.1 | 54.6 | 8 | | | | |

備註 Note NI: 金屬脫離環

NI: Release Ring (Metallic Body)

- 介紹區
- 標準接頭
- 調速接頭
- 金屬調速
- 逆止閥
- 關斷型接頭
- 手動閥
- 配管模組
- 塑膠接頭